

NORMAL SPIN WASHER EXTRACTORS



NORMAL SPIN WASHER EXTRACTORS

INDEX

- 1.- Product Range - Overview
- 2.- Classification
- 3.- Main Features
- 4.- Accessories and Options
- 5.- Technical data
- 6.- Sales arguments and marketing tools

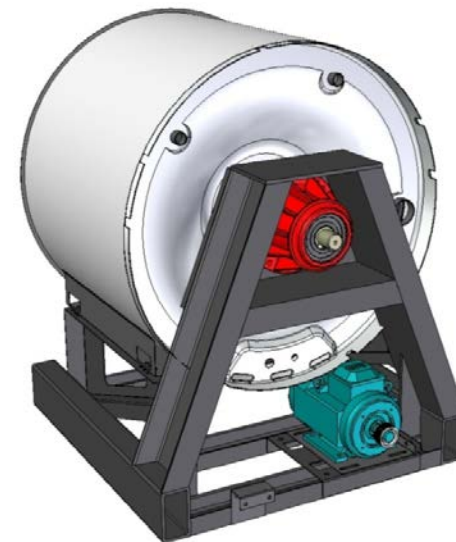
1. PRODUCT RANGE

Normal Spin (G Force 100)							
Control	Heating	Capacity					
		10-11 kg	13-14 kg	18-20 kg	25-28 kg	35-38 kg	60-66 kg <i>NEW</i>
Microprocessor Easy Touch	Electric, hot water, steam	WEN-11	WEN-14	WEN-18	WEN-27	WEN-36	WEN-60
Easy Touch self- service	Electric and hot water	WEN-11 SELF	WEN-14 SELF	WEN-18 SELF	WEN-27 SELF	WEN-36 SELF	

1. PRODUCT RANGE

NORMAL SPIN RANGE

- Hard mounted washers.
- *Anchoring to floor with anchoring base.*
- *High G-factor: 100*
- *R.P.M. between 538 -458*
- *Residual humidity: 70-100%*
- Etc...



ONE WASHER - 2 POSSIBLE USES ANYTIME

ON PREMISE LAUNDRY

SELF-SERVICE LAUNDRY



2. CLASSIFICATION

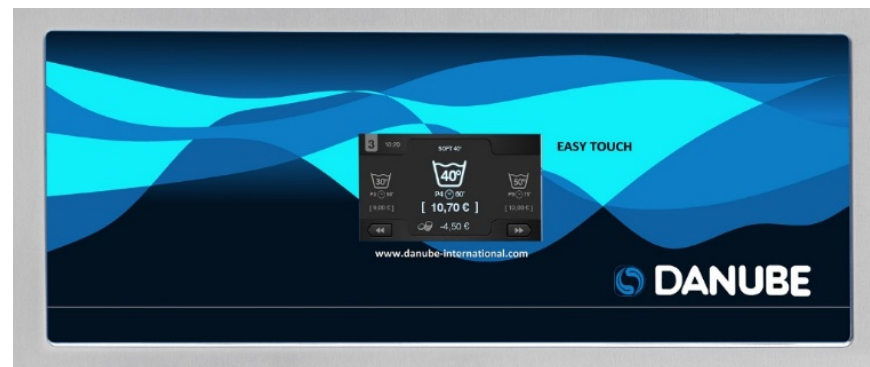
Heating:

- Electric [E] – Heating elements
- Hot water [HW] – Hot water inlet, reduced operating cost if hot water is available.
- Steam [S] – By means of steam injectors, lower operating cost, investment in boiler required if not available

Size: 11, 14, 18, 25 , 35 and 60 kg

Self-service: E and HW versions in 11, 14 ,18, 25, 35 and 60 kg (Tokens, coins and central payment)

Controls: ET - Easy Touch microprocessor (OPL and Self-service).



3. MAIN FEATURES

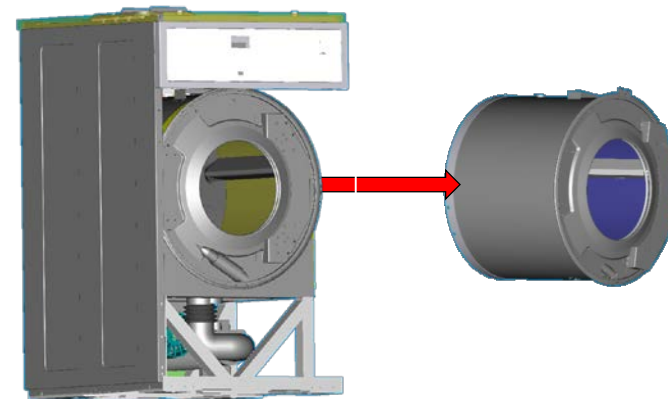
3.1.- MANUFACTURED IN STAINLESS STEEL BODY, OUTER DRUM AND INNER DRUM

- Elegant look
- Increased resistance to the external agents
- Avoid corrosion problems
- Increasing the washer lifetime
- Better quality



3.2.- DRUM REMOVABLE FROM THE FRONT (MODELS 11 ,14 ,18, 25 AND 35 KG)

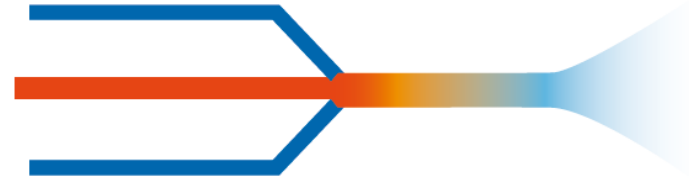
- Easy-to-access mechanical parts
- Easy to extract the drum



3. MAIN FEATURES

3.3. - AUTOMATIC WATER MIXER (MIXING DIFFERENT WATER TEMPERATURES)

- Energy savings
- Reduced Washing Time



3.4.- SOAP DOSING SYSTEM

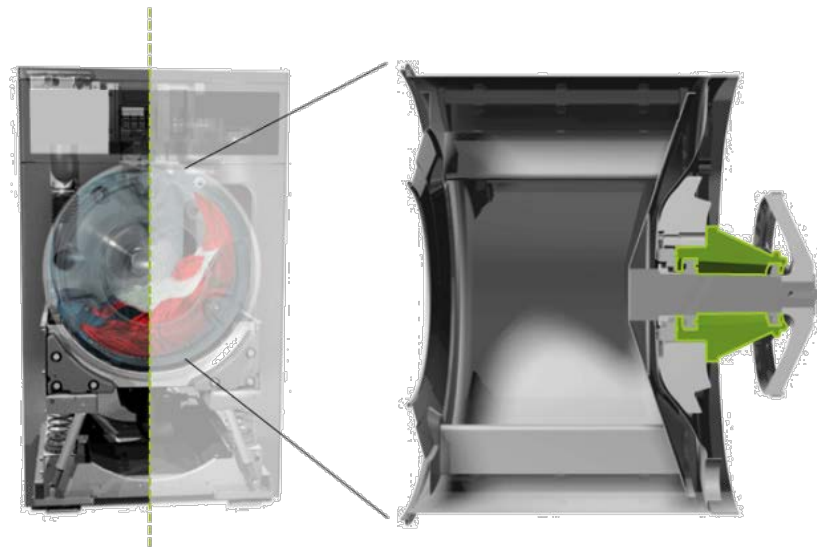
- New water ducts, as well as easy detergent connection. Complies with the WRAS certification
- Detergent dispenser drawer with 4 sections
- Rear connections for automatic liquid dosing. Up to 14 dosing signals (Option 6 extra signals)



3. MAIN FEATURES

3.5.- IMBALANCE SYSTEM

- Thanks to an advanced technological development, and by means of the inverter, the washers detect the imbalance at an early stage
- Operation is much smoother, elongating components lifetime
- Reduced Washing Time
- Energy savings



3. MAIN FEATURES

3.6.- WET CLEANING

All washers have the necessary features to use the **WET CLEANING** system.

Full control of temperatures and levels of water.

Washing speed of 15 r.p.m.

Rhythm on/off of 1sec/1sec

Manual control of each dosing signals



Wet cleaning

3.7.- TOP QUALITY AND REPUTED BRANDS

Ball bearings: NSK

Radial Seals : V-RING seals (external Viton)

Inverter: Delta

Contactors: Siemens / ABB

3. MAIN FEATURES

3.8.- TECHNICAL MENU

Complete technical menus

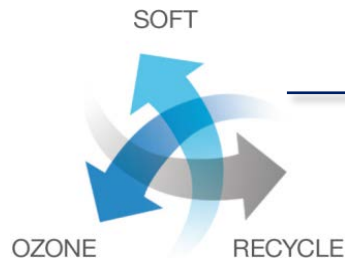
- Failure self-diagnosis systems (Auto-test)
- Alarms
- Saving of information (cycles, time working, spinning, alarms, etc...)
- Restricted access areas

Ergonomic access to control panel parts. Hinged panel.



3.9.- 3RD WATER INLET AS STANDARD

All washers are equipped with a third water inlet, used for soft water (Save filling time), ozone or recycled water (energy-water savings)

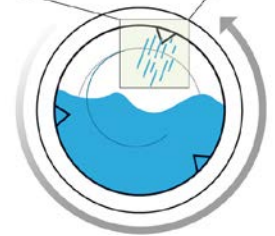


3. MAIN FEATURES

3.10.- SMALL PERFORATIONS IN THE RIBS OF THE DRUM

Water has a cascade effect on the load

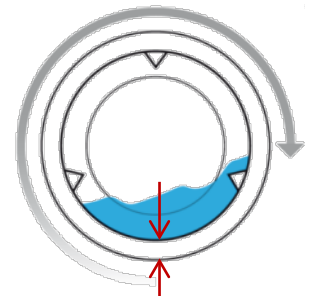
- Maximizes the washing quality with the shortest cycle time possible
- Increases considerably the mechanical action inside the drum
- Reduces the need of water



3.11.- DRUM AND TUB'S EFFICIENT DESIGN

A narrow gap between them, as well as the overuse of chemicals and water

- Reduces the energetic consumption to heat up the water
- Increases considerably mechanical action inside the drum



3. MAIN FEATURES

3.12.- OPTIMAL CONSUMPTION

Efficient system by means of which you can indicate the load which is introduced in the machine. The washer, automatically, adapts the quantity of water and chemicals to be used for this load.

- Reduces operation costs
- Savings



3.13.- VOLTAGE

- Models 11, 14, 18, 25 and 35 Kg. Single-phase (except WEN-27 and WEN-36 Electric)
- All washers are 50/60 Hz

3.14.- DIMENSIONS

- 11, 14 and 18 kg. washers extractors with dimensions narrower than 800 mm
- 25 kg washer extractor with dimensions narrower than 900 mm

3.15.- SAFETY LATCH ON DOOR

3. MAIN FEATURES

3.16.- CERTIFICATES AND HOMOLOGATIONS

- WRAS (UK).
- ETL (USA et Canada) for 11, 14, 18, 25, 35 and 60 kg.
- CE.



3. MAIN FEATURES - EASY TOUCH

ON PREMISE LAUNDRY



SELF-SERVICE LAUNDRY



3. MAIN FEATURES - **EASY TOUCH**

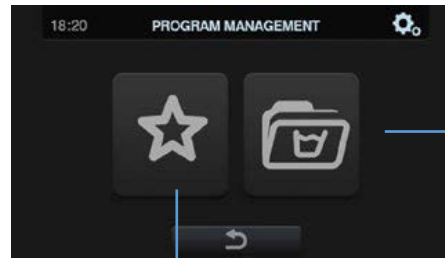
FEATURES

- **Ecran digital 4.3"**.
- Programmes: **33 langues disponibles**.
- **Port USB** pour la mise à jour du logiciel et autres applications.
- **Même commande EASY TOUCH** pour les laveuses **OPL** et **libre-service**.

3. MAIN FEATURES - EASY TOUCH

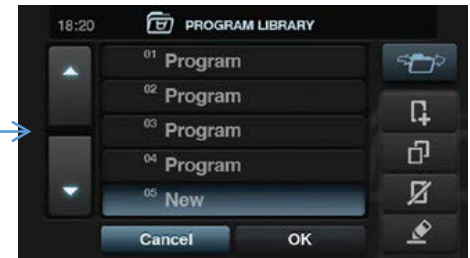
PROGRAMMING

- **User-friendly** and **intuitive** programming.
- **26 factory pre-set programs.**
 - 4 Intensive
 - 3 Standard
 - 4 Economic
 - 3 Delicate
 - 2 Spinning
 - 6 Hospitals and care-homes
 - 4 Self-service



My favourite programs

Programs library



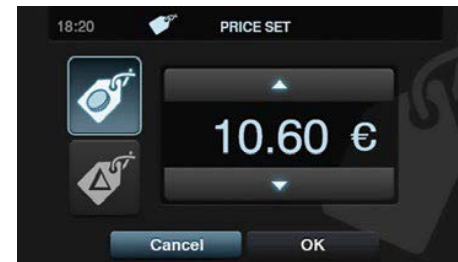
- Possibility of programming, exporting, importing (**USB**) new programs.



3. MAIN FEATURES - EASY TOUCH

PROGRAMMING

- **Coin mode:** a price can be assigned to each program.
- **Easy management of different pricing plans.** Flexibility: Schedule your prices by hours, days, months, ...



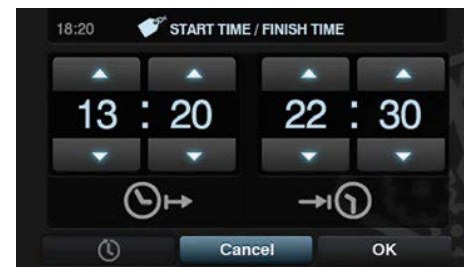
CENTRAL PAY : Ready to work with any central pay, which is external to the washer extractor.



ELECTRONIC COIN-TOKEN BOX : This device can work both with tokens or coins (all types of coins).



PREPAID CARD: Prepared to work with prepay card systems.



3. MAIN FEATURES - **EASY TOUCH**

FLEXIBILITY

- **8 signals** for automatic liquid dosing, programmable in time and delay.
- **Configuration of washing and spinning speed.**
- Complete **regulation of water levels.**
- **Standard WET CLEANING system.**
- Main screen display and washing process screen can be modified with parameters and images suiting each client.
- **LOADING AID** feature with water and rotation control for easy loading of the linen.



3. MAIN FEATURES - **EASY TOUCH**

ENERGY EFFICIENCY

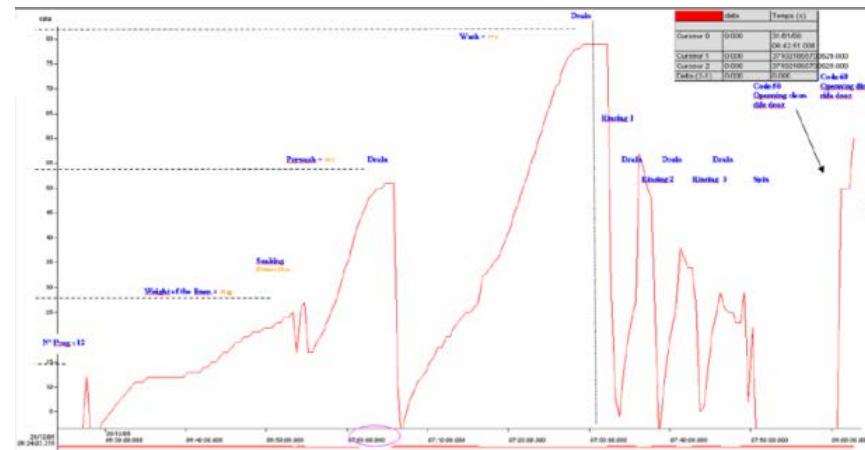
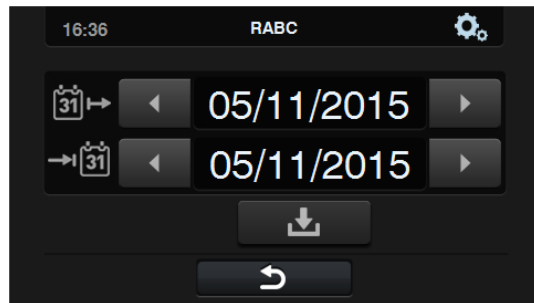
- 4 Economic programs.
- **REST mode**, with automatic switch off.
- **Water recovery system**, with double drain option. Water savings up to 50%.
- **OPTIMAL CONSUMPTION** standard. Manual indication of the load.



3. MAIN FEATURES - EASY TOUCH

TRACEABILITY

- All washing process (Temperatures, water levels) is stored in the washer and can be downloaded from USB port.



4. ACCESSORIES AND OPTIONS

- Double drain kit allow the recovery of the water, with important savings.
- Drain pump kit (11 and 14 kg).
- Anchorage base.
- Double heating electric-steam kit (model 60 kg only)
- Kit marine voltage (440-480/III/50-60 Hz/no neutral)
- 8 mm diameter holes drum.
- Relay card to increase up to 14 signals for liquid dosing (6 extra dosing signals)

5. TECHNICAL DATA

DRUM	WEN-11	WEN-14	WEN-18	WEN-27	WEN-36	WEN-60
Load capacity 1:9 (kg)	11	14	20	28	39	67
Load capacity 1:10 (kg)	10	13	18	25	35	60
Volume (liters)	100	130	180	250	350	600
Diameter (mm)	620	620	700	770	860	1048
Depth (mm)	330	430	470	530	602	684
8 mm diameter holes drum	OPT.	OPT.	OPT.	OPT.	OPT.	OPT.
DIMENSIONS						
Width (mm)	719	719	788	884	979	1225
Depth (mm)	697	842	851	965	1066	1280
Height (mm)	1158	1158	1307	1307	1411	1640
Net weight (Kg)	197	235	268	360	468	782
DOOR						
Height center door (mm)	570	570	655	700	730	900
Height base door (mm)	310	310	395	440	366	540
Diameter (mm)	373	373	373	373	560	560
POWER						
Motor (Kw)	0,75	1	1,5	2,2	3	5,5
Heating (Kw) (Electric model)	6	9	12	18	21	28,8
Max. power (Kw) (Electric model)	6,25	9,3	12,5	18,75	22	31,3
Max. power (Kw) (Hot water / steam model)	0,75	1	1,5	2,2	3	7,5
CONNECTIONS						
Water inlet	3/4"	3/4"	3/4"	3/4"	3/4"	3/4"
Steam inlet	1/2"	1/2"	1/2"	3/4"	3/4"	3/4"
Drain (mm)	3"	3"	3"	3"	3"	3"
GENERAL DETAILS						
Washing speed (r.p.m)	53	53	50	48	45	42,5
Spining speed (r.p.m)	536	536	505	481	455	415
"G" Factor	100	100	100	100	100	100
Double drainage	NO	NO	OPT.	OPT.	OPT.	OPT.

6. SALES ARGUMENTS

SMALL-MEDIUM CAPACITY WASHERS	DANUBE	GIRBAU	ALLIANCE	ELECTROLUX
Stainless steel external panels	Std.	\$ Opt.	\$ Opt.	\$ Opt.
3rd water inlet	Std.	No	\$ Opt.	\$ Opt.
Wet-Cleaning	Std.	No	-	\$ Opt.
Traceability	Std.	No	\$ Opt.	No
Touch control	Std.	No	No	No

6. SALES ARGUMENTS

6.1.- SALES ARGUMENTS VS. COMPETITORS

- **Competitive price level**, with **standard features**, which are far superior to its competitors:
 - Stainless steel body
 - 3rd water inlet
 - Traceability
 - All models are programmable
- **Versatility**: Models (OPL-COIN), different types of heating and voltages, installable kits and accessories
- **New 60 kg model**, very competitive (price-performance-size-capacity)
- **New EASY TOUCH Control**, high level of performance, ...
- **Reduced water consumption** (control of water recovery tanks, optimal consumption,...)

6.1 MAIN FEATURES - Pictograms



Eau chaude
et Eau froide



3 arrivées d'eau



Inverter



Tambour efficace



Wet cleaning



Charge optimale



Inox



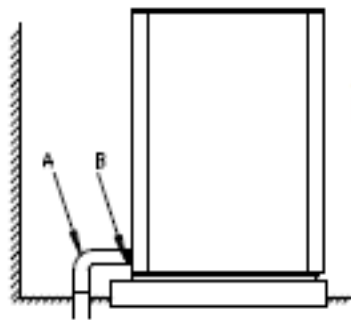
Programmeur
électronique



Recyclage 95%

6.2 COMPARISON AMONG DIFFERENT TYPES OF WASHER EXTRACTORS

TYPE OF WASHER EXTRACTOR	"G" FACTOR	TYPE OF INSTALLATION	MOISTURE RETENTION		TIME OF DRYING	TOTAL COSTS DURING FIRST TWO YEARS			
			100% COTTOM	50% COTTOM 50% POLYESTER		Cost of the machine	Cost of the installation	Cost for operation and energy	
HIGH SPIN WASHERS	350-450	Soft-Mounted	55%	45%	30'	34	2,1	38,4	74,5
FAST SPIN WASHERS	200	Hard-Mounted	70%	60%	40'	21	6,5	51	78,5
LOW SPIN WASHERS	100	Hard-Mounted	100%	90%	60'	17	6,5	76,5	100



A= Drainage pipe bend
B=Clamp

Rear space needed:

- Minimum: 50 cm
- Recommended 80 cm

WED models are not need to be anchored to the floor, but it's recommendable

4 anchors for fixing the washer (Required in WEN /WEM Models)

Important : Level floor

